

Specifications Sheet for Pop Up Power Points

Version 1 - Model



Product Information:

- ✿ Model designed for offices, workshops, workbenches, hospitals, hotels, boardrooms...
- ✿ Colours available: Black & Silver Material: PVC Plastic
- ✿ Warranty: 12 Months Australian Warranty – Lifetime parts & repair service
- ✿ Outlets on the unit: 2x Australian Outlets, 2x USB charging outlets [1.05a each]

Installation Requirements:

- ✿ Requires a hole size cut out diameter of 83-90mm [85mm recommend for best-fit]
- ✿ Requires 270mm to be left below the installation surface [underneath the bench-top] to allow the unit to close fully, and sit flush with the bench-top.
- ✿ Requires an Australian outlet to be underneath the bench-top surface within 1.4m from the unit / installation location - to allow the unit to connect to power.

Installation Instructions:

1. A hole size in the desired surface for installation is required. Check model to determine the hole size requirement. Ensure there is enough space under your installation surface, so the unit can fall freely into its hole and sit flush. Check above for model specifications.
2. Unscrew the mounting ring, feed the cable through the mounting hole, then place the unit in the hole.
3. Re-attach the mounting ring and tighten the unit to the surface. Plug the power cable into a power point.
4. The unit is ready to pull up and use!

Detailed Product Specifications

Cable Length: 1.5m	Degree of Protection: IPX0 [against harmful ingress of water], IP2X [against access to hazardous parts and against harmful ingress of solid foreign objects]
Cable Type: H05VV-F [3x 1.5mm ²]	Top Surface Material: PVC Plastic
Plug: XH022B [250V 10A]	Rated Voltage: 240V~ Rated Current: 10A
Model: SebNet V1 - D08-ALU02	SAA Compliance Certificate Number: SAA141871



Product Information:

- * Model designed for Kitchens [Stone & Laminate bench-tops], Boardrooms...
- * Colours available: Glossy Silver [White or Black Face], Stainless Steel, Nickel, Full Black
- * Warranty: 12 Months Australian Warranty – Lifetime parts & repair service
- * Outlets on the unit: 2x Australian Outlets, 2x USB charging outlets [1.05a each]

Installation Requirements:

- * Requires a hole size cut out diameter of 100-105mm [102mm recommend for best-fit]
- * Requires 290mm to be left below the installation surface [underneath the bench-top] to allow the unit to close fully, and sit flush with the bench-top.
- * Requires an Australian power outlet to be underneath the bench-top surface within 1.4m from the unit / installation location - to allow the unit to connect to power.

Installation Instructions:

1. A hole size in the desired surface for installation is required. Check model to determine the hole size requirement. Ensure there is enough space under your installation surface, so the unit can fall freely into its hole and sit flush. Check above for model specifications.
2. Unscrew the mounting ring, feed the cable through the mounting hole, then place the unit in the hole.
3. Re-attach the mounting ring and tighten the unit to the surface. Plug the power cable into a power point.
4. The unit is ready to pull up and use!

Detailed Product Specifications

Cable Length: 1.6m	Degree of Protection: IPX0 [against harmful ingress of water], IP2X [against access to hazardous parts and against harmful ingress of solid foreign objects]
Cable Type: H05VV-F [3x 1.5mm ²]	Top Surface Material: Refined Hardened Scratch-Resistive PVC Plastic
Plug: XH022B [250V 10A]	Rated Voltage: 240V~ Rated Current: 10A
Technical Model: V2SebNetPUPP	SAA Compliance Certificate Number: SAA150142

Copyright © 2006 - 2014 SebNet. All rights reserved - ModernPowerSolutions.com.au

Specifications Sheet for Pop Up Power Points

Version 3 - Motorised - Model

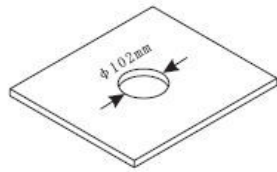


Photo NO1.
It is Required to install thickness
between the 5mm ~40mm

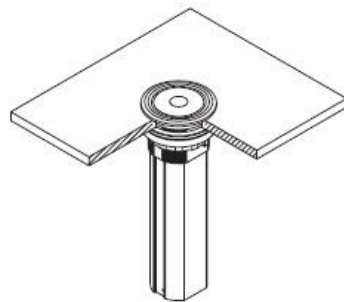
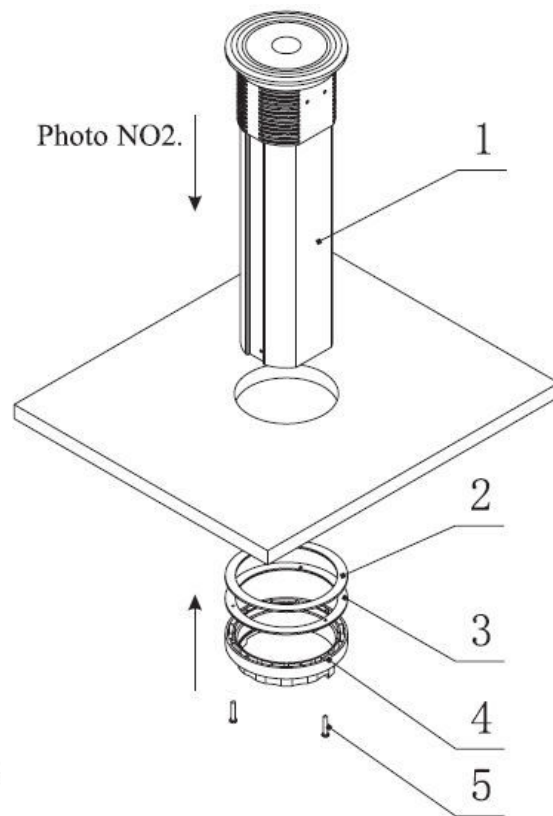


Photo NO3. It is the Effect of installed



Parts Key:

- 1: Product Main Body
- 2: Mat
- 3. Block Parts
- 4. Fixed Parts
- 5: Screws

Installation Instructions [As per diagram]:

1. Drill a hole of 102mm in diameter
2. Put the main unit through the hole, so it is flush with the bench-top
3. Place the ring parts onto the unit from underneath the bench-top surface
4. Screw the screws [Part 5] into the last ring [Part 4]
5. Rotate [Part 4] tightly, so the unit is secure. Then tightened the screws [Part 5]



Product Information:

- * Model designed for offices, workshops, workbenches, hospitals, hotels, boardrooms...
- * Colours available: Silver Only Material: PVC Plastic
- * Warranty: 12 Months Australian Warranty – Lifetime parts & repair service available
- * Outlets on the unit: 2x Australian Outlets, 1x USB charging outlets [5V/2.1A Output]
- * Waterproof Rating: IP65 Shell Material: Aluminium Alloy

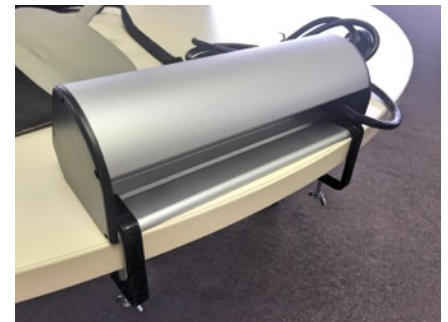
Installation Requirements:

- * Requires a hole size cut out diameter of 102mm
- * Requires 350mm to be left below the installation surface [underneath the bench-top] to allow the unit to close fully, and sit flush with the bench-top.
- * Overall Dimensions: 340mm*120mm

Package Weight: 3.2KG **Package Size:** 440mm x 230mm x 230mm (17.32in x 9.06in x 9.06in)

Specifications Sheet for V4 - Horizontal Desktop Unit

Version 4 - Desktop Unit - Model



Product Information:

- ✿ Model designed for offices, workshops, workbenches, hospitals, hotels, boardrooms etc...
- ✿ **Colours** available: Silver with black outlets: only
- ✿ **Material:** Aluminium Shell, Plastic Outlets
- ✿ **Warranty:** 12 Months Australian Warranty – Lifetime parts & repair service available
- ✿ Outlets on the unit: 2x Au Outlets, 2x USB charging outlets [1.05a], 2x RJ45 Couplers
- ✿ Shell **Material:** Aluminium Alloy

Installation Requirements:

- ✿ Recommended Installation: Edge of desk with supplied mounting brackets, or glued onto desktop surface, or stuck onto desktop surface with double-sided tape
- ✿ Overall Dimensions: Unit Width: 245mm, Unit Depth: 90mm, Unit Height: 80mm
- ✿ Maximum bench-top thickness when using clamps: 50mm
- ✿ **Cable Length:** 1.6m **Max Current:** 10A **Voltage:** 240V

Package Weight: <3KG **Package Size:** 320mm x 130mm x 120mm

Delivery time: between 3-5 days from order date

Please contact for custom configurations